



PROJECT		REF		REV	ITEM CODE	
LOCATION		DATE			PAGE	

SANITARY WARE SPECIFICATION SHEET

Item Descriptions	GROHE (Germany) "Essence" Brushed cool sunrise 1/2" single-lever bath & shower mixer with 2-way diverter	Illustration/ Drawing
Dimensions	L158 x W136 x H200 mm	
Model	24058GN1 (Mixer) 35600000 (Mounting box)	
Finish	Brushed Cool Sunrise	
Country of origin	Germany	
Manufacturer	GROHE Limited	
Supplier	Acme Sanitary Ware Co. Ltd Mr. Eric Wong/ Mr. Don Yuen	
Contact Tel/Fax	(852) 2388-7171 / (852) 2710-8012	
E-mail	acme@acmesanitary.com.hk	
Website	www.acmesanitary.com.hk	

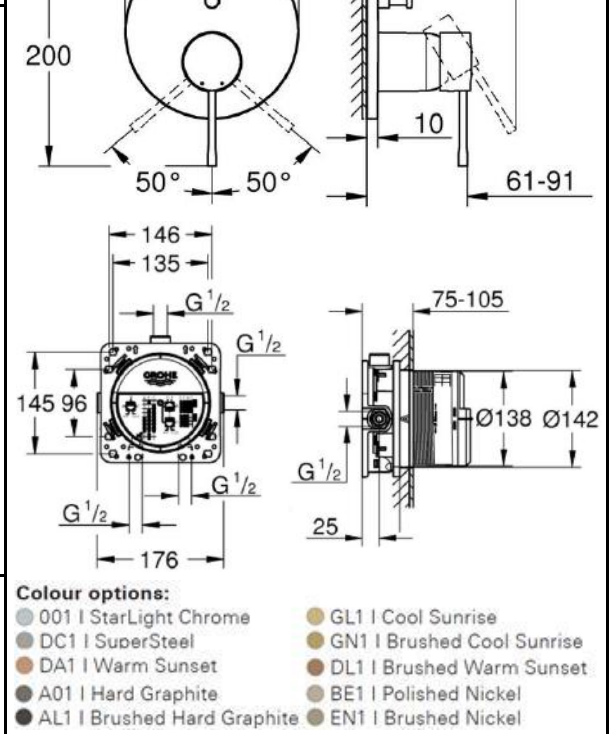
"Essence"
Single-lever mixer with 2-way diverter

- set for final installation for
- GROHE Rapido SmartBox 35 600 000
- **GROHE SilkMove** 46 mm ceramic cartridge
- **GROHE StarLight** finish
- wall escutcheon with **GROHE QuickFix** (covered escutcheon- and shaft sealing, covered fixing)
- metal escutcheon, retroactively 6° adjustable
- metal lever
- **automatic 2-way diverter**
- flow performance:
outlet B = 27 l/min, outlet C = 27 l/min
- **without roughing-in-set**

GROHE Rapido SmartBox

- Universal rough-in box, 1/2"
- 3 outlets 1/2"
- 2 inlets below, 1/2"
- installation depth 75-105 mm
- connection unit in DR brass
- pre-mounted flushing plug
- stable build-in box and protective cover
- fixing options for solid walls and dry cladding
- gasket
- without set for final installation

24058DC1 24058DA1 24058GL1 24058AL1



Note: [YouTube \(GROHE Essence\) https://www.youtube.com/watch?v=GZoUbmTWZ4](https://www.youtube.com/watch?v=GZoUbmTWZ4)
[YouTube \(Rapido SmartBox | Installation Video\) https://www.youtube.com/watch?v=KsWdVrq9fVI](https://www.youtube.com/watch?v=KsWdVrq9fVI)

* All information of the above is for the reference only. No prior notice is made if any changes.



PROJECT		REF		REV	ITEM CODE	
LOCATION		DATE			PAGE	

SANITARY WARE SPECIFICATION SHEET

GROHE ESSENCE

UNDERSTATED ELEGANCE

Classic lifestyle, gently interpreted. For people who are attracted by clear, visually pleasing designs, GROHE Essence brings aesthetics without pretension. Complete bathrooms in this range use balanced, modern styling and create space for inventive furnishing ideas and innovative technologies.



THE NEW GROHE RAPIDO SMARTBOX

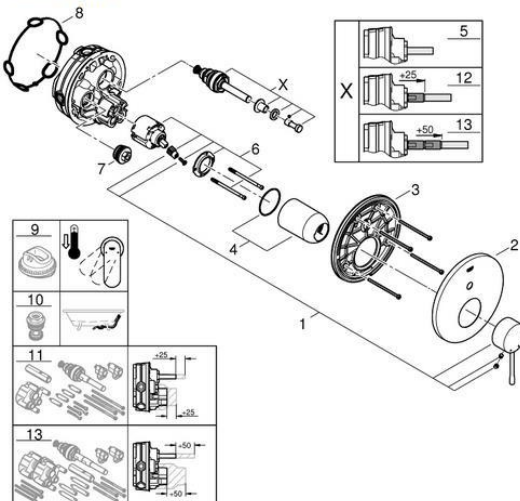
A UNIVERSAL SYSTEM FOR
INFINITE POSSIBILITIES

MORE THAN 200 POSSIBLE COMBINATIONS WITH GROHE RAPIDO SMARTBOX

As concealed mixing valves for showers and bathtubs are becoming increasingly successful, concealed units are in great demand. With its minimum installation depth of only 75mm, GROHE's Rapido Smartbox can be easily installed for all showers/bathtubs. The Rapido Smartbox concealed body allows you to control up to three water outlets and is compatible with all GROHE concealed models.



SPARE PARTS



Pos.-nr.	Prod. description	Order-nr.
1	Lever	46915000
2	Escutcheon	48429000
3	Mounting plate	48440000
4	Cap	02693000
5	Diverter	48442000
6	Cartridge	46048000
7	Non-return valve	49085000
8	Seal	48360000
9	Temperature limiter	46308000*
10	Backflow protection combination (EN1717)	14055000*
11	Universal extension set single-lever mixers, 25 mm	14056000*
12	Diverter	48444000*
13	Universal extension set single-lever mixers, 50 mm	14057000*
14	Diverter	48445000*

* Optional accessories

Note:

* All information of the above is for the reference only. No prior notice is made if any changes.



Acme Sanitary Ware Co Ltd

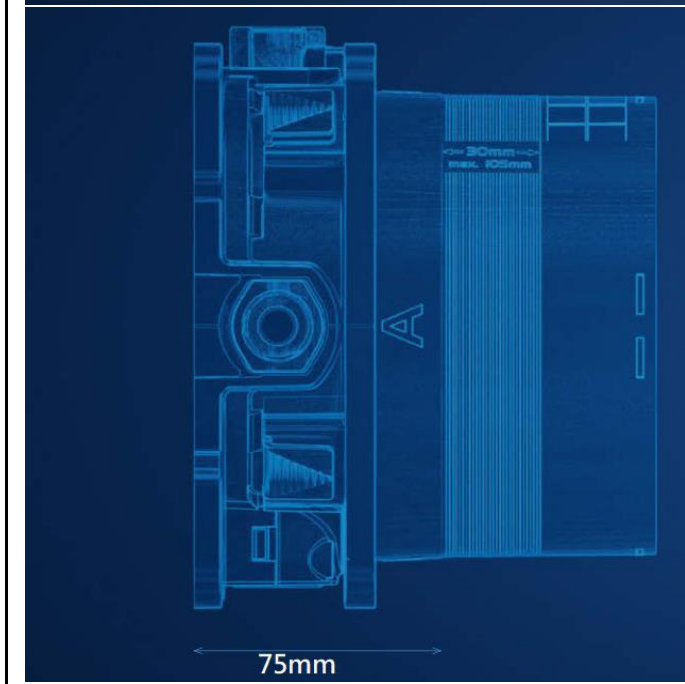
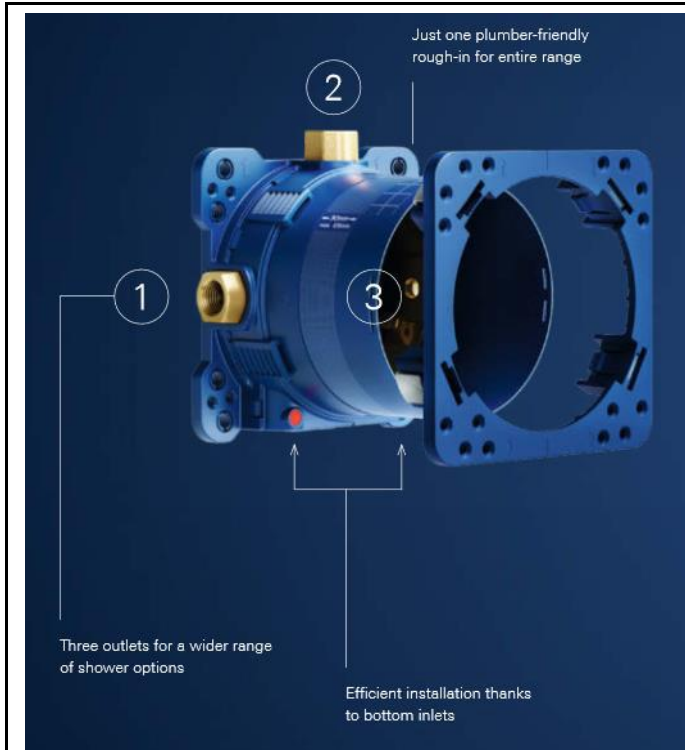
Acme Building, 22-28 Nanking Street, Kowloon, Hong Kong
Tel: 2388 7171 Fax: 2710 8012
E-mail: acme@acmesanitary.com.hk
Website: www.acmesanitaryware.com.hk



Pure Freude
an Wasser

PROJECT		REF		REV	ITEM CODE	
LOCATION		DATE			PAGE	

SANITARY WARE SPECIFICATION SHEET



Note:

* All information of the above is for the reference only. No prior notice is made if any changes.



水
W
S
D
Department



總辦事處
香港灣仔
48/F, Immigration Tower, 7 Gloucester Road, Wan Chai, Hong Kong

本署檔號 : (4) in WSD 3321/19 T/J(503/2019)
Our ref.
來函檔號 :
Your ref.


電話 :
Tel.
傳真 : 2824 0578
Fax.

10 December 2019

**Approval of "GROHE" Bath/Shower Mixer
(General Acceptance No. C20190591)**

Your letters ref. WRC/2068 and C-WSD/0516 dated 23 May 2019 and 7 August 2019 respectively refer.

Having considered the test report ref. J23905r1 issued on 29 July 2019 by Nutek Systems (HK) Ltd., this Authority accepts that the fitting described below complies with, and its use when correctly installed does not contravene, the Waterworks Ordinance and Regulations.

Name of Manufacturer: Grohe AG
Country of Origin: Germany
Brand: Grohe
Details of Fitting: 1/2" Single lever bath/shower mixer with concealed body
Model: 35600000 + 24058XX1
(where the digits "XX" denote the code of colour)
Body Markings: 
Expiry Date: 24 January 2024



This Authority hereby permits the use of the above fitting in fresh water plumbing systems subject to full adherence to Waterworks installation requirements. In particular, you are required to draw your customers' attention to the following requirement-

"The cold water supply to the fitting shall be drawn from the same source that supplies the hot water apparatus so as to provide a balanced pressure and to obviate the risk of scalding in the event of a restriction or failure in the water supply." AND

"The shower head or handspray should not be placed in submerged conditions and should be securely fixed to the original position after use."


A condition of this acceptance is that the fitting to be installed shall be replicas of the sample as certified by the testing agent mentioned above and without modifications. This acceptance may be withdrawn at any time if the standard of the fitting installed fails to meet that of the approved sample or if the fitting is found to be unsuitable for use in fresh water plumbing systems.

This acceptance is only applicable to the main body of the fitting, unless otherwise specified.

For the use of the fitting in any project, the General Acceptance Number of this letter must be quoted as a means of identification of acceptance of the fitting by this Authority.

Should you have any enquiries, please contact our Engineer Mr. Terry KUNG at tel. no. 3583 4086.

Yours faithfully,



(CHAN Chung-kun)

for Director of Water Supplies

Encl.

c.c. WSD 3321/1/82] - without catalogue
 ME/MC] - with soft copy only